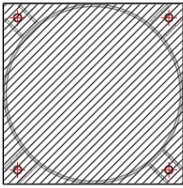
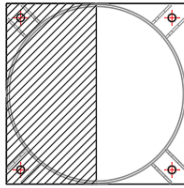
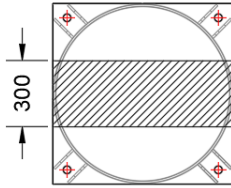
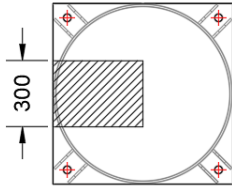
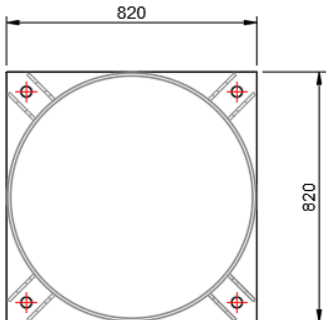
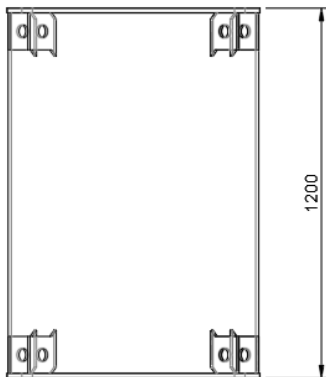


TECHNICAL SPECIFICATION – 1.2m STEEL SUPPORT		
WIDTH	820	mm
HEIGHT	1200	mm
WEIGHT	404	kg
MAX CAPACITY*		
LOAD CASE A	150	t
LOAD CASE B	100	t
LOAD CASE C	80	t
LOAD CASE D	40	t
*All load cases are covering a 5t pretension on two opposite stiffeners		



LOAD CASES			
			
A	B	C	D
Load case A - cap 150t	Load case B – cap 100t	Load case C – cap 80t	Load case D – cap 40t
<ul style="list-style-type: none"> • 5t pretension on two opposite stiffeners • 150t load resting on the carrying area of the pillar 	<ul style="list-style-type: none"> • 5t pretension on two opposite stiffeners • 100t load resting on half the carrying area of the pillar 	<ul style="list-style-type: none"> • 5t pretension on two opposite stiffeners • 80t load resting on the carrying area of the pillar as per above shown situation 	<ul style="list-style-type: none"> • 5t pretension on two opposite stiffeners • 40t load resting on the carrying area of the pillar as per above shown situation

DIMENSIONS	
TOP	FRONT
	

Please consult the KLEINVELD Engineering department for equipment details, equipment applications, stability or any other further technical support.