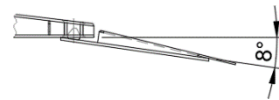
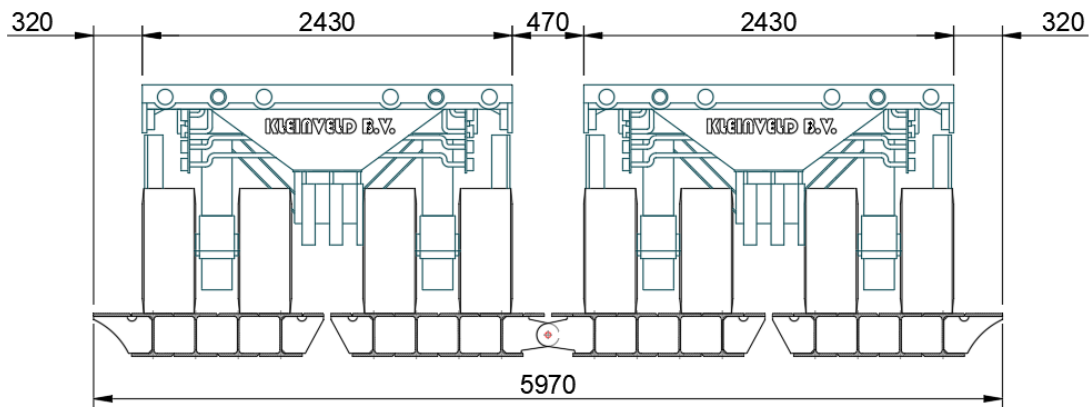


TECHNICAL SPECIFICATION – 5.6m RoRo ramp		
SPAN	5600	mm
WIDTH	5980	mm
HEIGHT	280	mm
WEIGHT (SINGLE RAMP)	2.7	t
WEIGHT (COMPLETE ASSEMBLY)	15	T
MATERIAL	S355	
Wy	5506	10 ³ x mm ³
ALLOWABLE AXLE LOAD – USING SPMT		
AXLE – AXLE	1400	mm
LOAD / AXLE (@ GROUND LEVEL)	20	t
LOAD / AXLE LINE/ 4 RAMPS	80	t

FOOT PLATE DOWN



FOOT PLATE UP



CROSS SECTION

